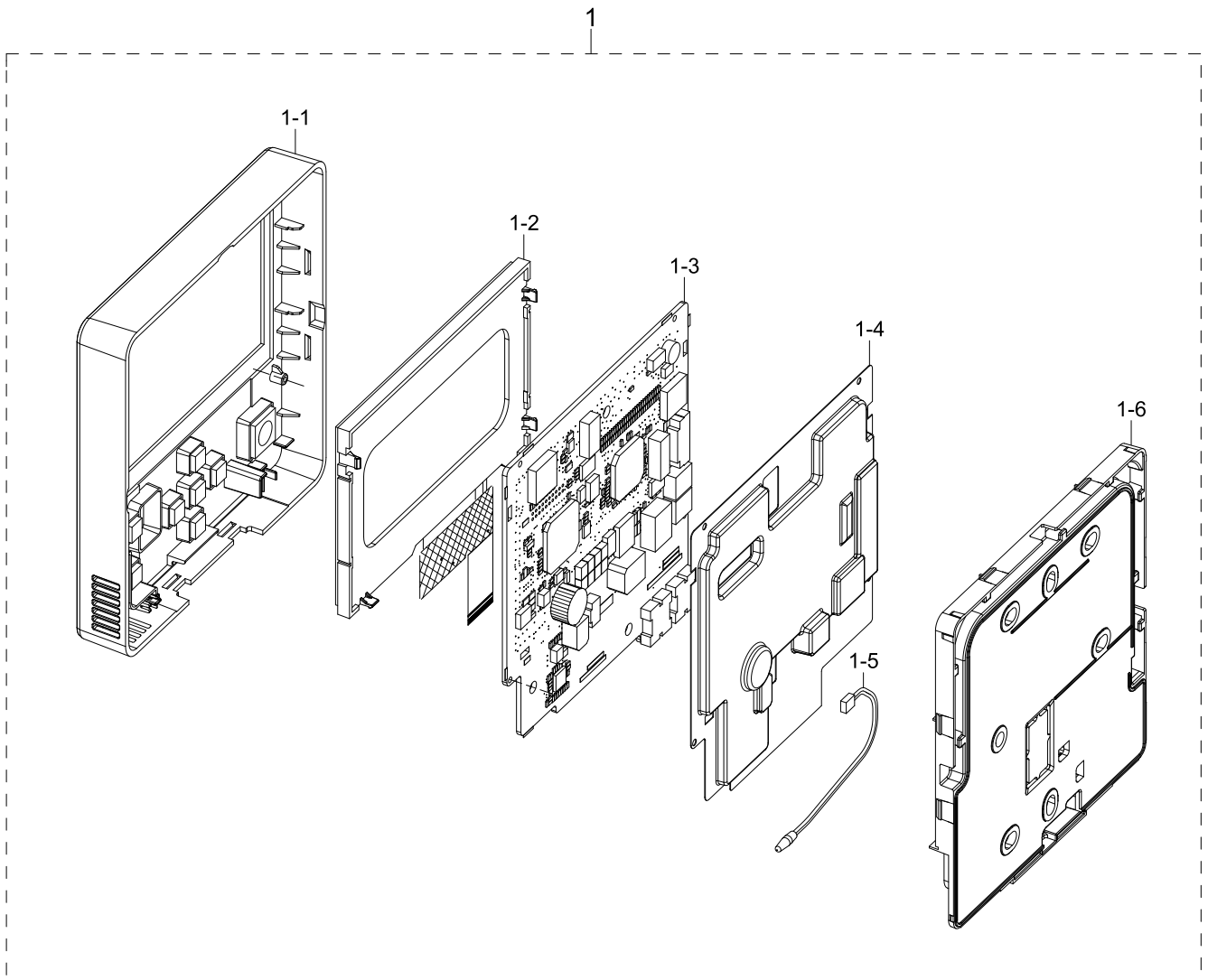


# 1. MWR-WG00KN

## Exploded View



## Parts List

No.	Lvl.	Loc.	Material Code	Description & Specification	SNA	Qty.
1	1		DB96-24536C	ASSY WIRED REMOCON; MWR-WG00KN,NS Wired R	SA	1
1-1	2		DB90-11271A	ASSY CASE-TOP; AWR-WG00N	SA	1
1-2	2	A0882	DB93-16995A	ASSY DISPLAY; AWR-WG00N	SA	1
1-3	2	A2748	DB92-04639C	ASSY PCB MAIN; ASSY PCB MAIN,NS Wired Rem	SA	1
1-4	2	C1445	DB63-04116A	COVER PCB; AWR-WG00N,PET,T0.3,V-0,NATURAL	SA	1
1-5	2		DB95-04690A	ASSY THERMISTOR-IN; -,AC,-,-,-,-,-,-,-	SA	1
1-6	2		DB61-07241A	CASE-BOTTOM; AWR-WG00N,ABS,T1.8,L115.57,D	SA	1