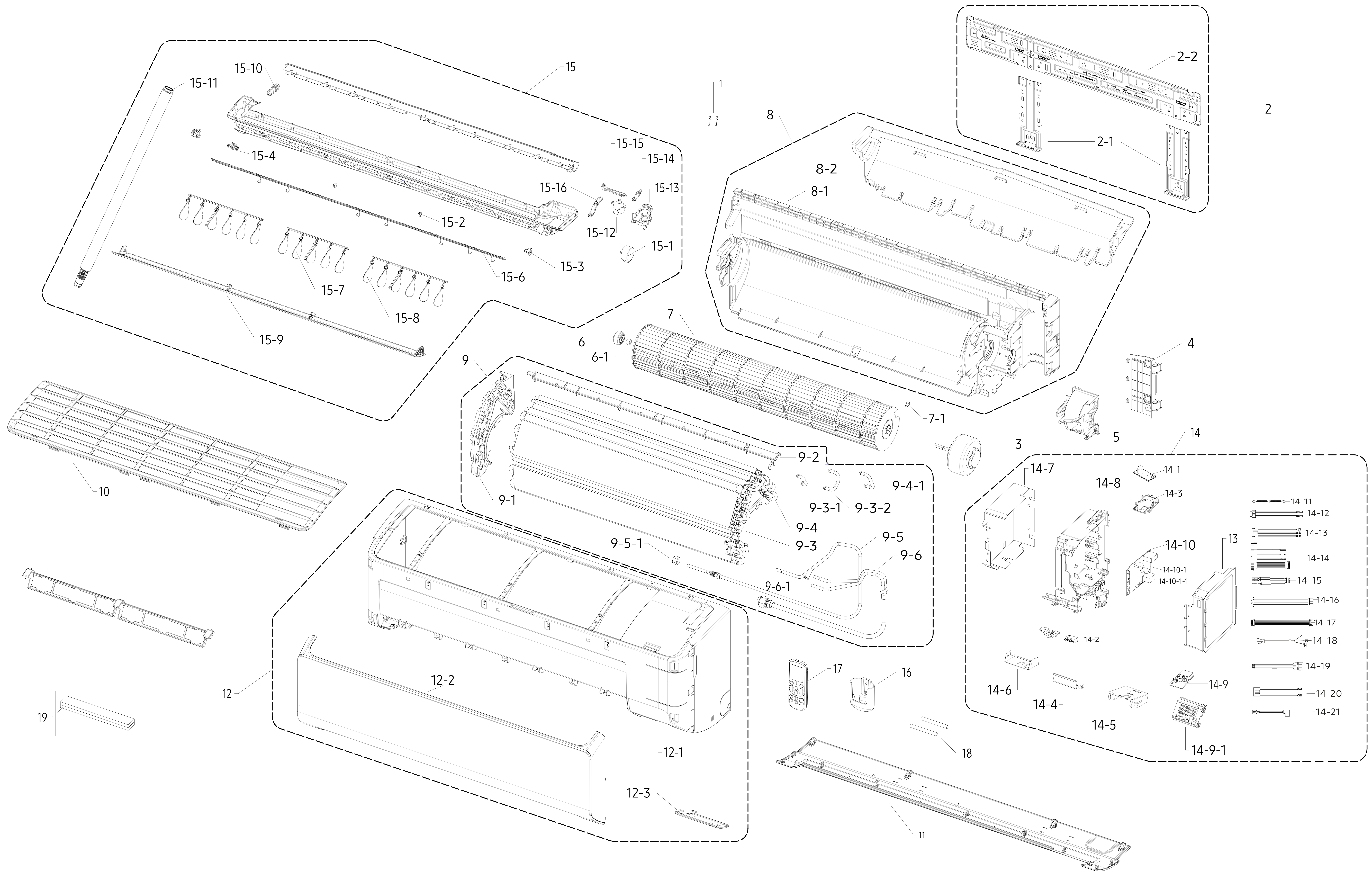


EXPLODED VIEW



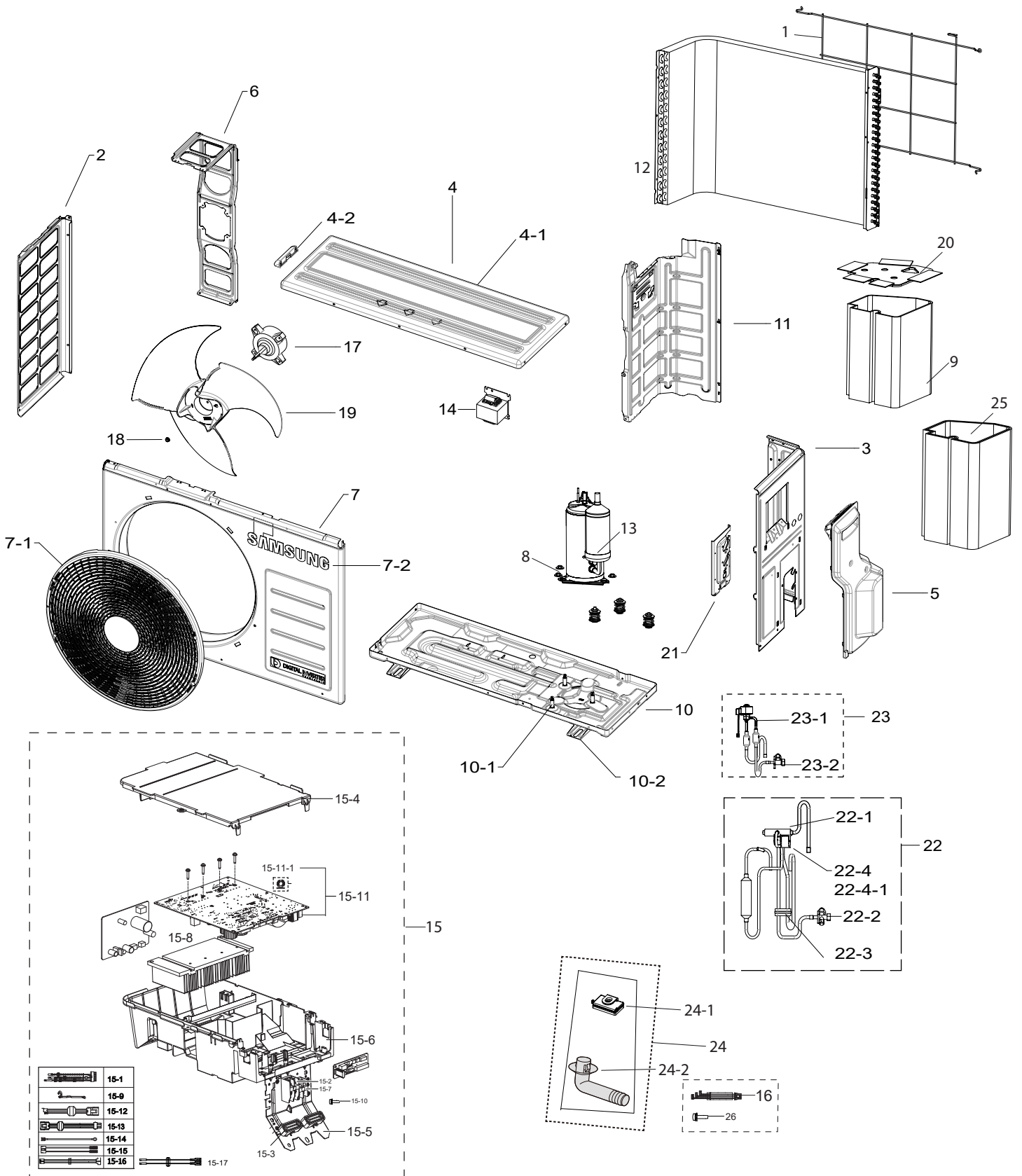
■ Parts List

Exploded Views and Parts List

AR24TXHZAWKNEU

NO	Parts Code	품명	Spec.	수량	Service
1	DB67-60030A	SPRING-SENSOR	WW2-PJT,STS301,0.4,T0.4,W2.7	2	SA
2	DB90-11454A	ASSY HANGER	AR9500T,QMD RAC 3	1	SA
3	DB31-00636A	MOTOR BLDC FAN	RD-310-25-8A(AL),1500,310V,1,27W	1	SA
4	DB90-11563A	ASSY HOLDER-PIPE	QMD RAC 3,HOLDER PIPE + FOAM PU	1	SA
6	DB94-00455B	ASSY-RUBBER BEARING	AR18MC5UDMCNNA,ASSY	1	SC
6-1	DB94-40007B	ASSY BEARING	G1-PJT,SSEC	1	SC
7	DB94-03085A	ASSY FAN CROSS	HAWAII PJT,PI106.5xL830.5	1	SA
8	DB94-07970A	ASSY BACK BODY	AR9500T,QMD RAC 3	1	SA
8-1	DB61-07420A	BODY BACK	HIPS,T2.2,BLACK,QMD RAC 3	1	SA
9	DB96-24848A	ASSY EVAP-TOTAL	S3-4,L825.5, 4BY4, EU	1	SA
9-2	DB63-04232A	COVER EVAP	AR9500T,PP,T1.8,BLACK,QMD RAC 3	1	SA
9-5-1	DB60-30010A	FASTENER-NUT FLARE	BRASS	1	SA
9-6-1	DB60-30010D	FASTENER-NUT FLARE	BRASS	1	SA
12	DB92-04825C	ASSY PANEL FRONT	AIRISE,DIT,QMD RAC3, WIND	1	SA
12-1	DB64-03465A	PANEL FRONT	AR9500T, QMD RAC3, WIND,HIPS,XQ-83180,DA WHITE	1	SA
12-2	DB64-03467A	GRILLE INLET	AR9500T, QMD RAC3, WIND, AIRISE,HIPS,T2.2,DA WHITE,XQ-83180	1	SA
12-3	DB93-17180A	ASSY DISPLAY	AR9500T,Hole	1	SA
14	DB32-00277A	SENSOR TEMP	103HW,L400,10kohm	1	SA
14-14	DB37-00033A	TERMINAL BLOCK	DAF-4P-M,MELAMINE,300V,25A,58.7X36.4X22mm,D4,NO,4P,TAB-SCREW,1(L), 2(N), F1, F2	1	SA
14-2	DB61-07432A	CASE CONTROL-IN	AR9500T,ABS,L260,BLACK	1	SA
14-8	DB92-04833A	ASSY PCB DISPLAY	DISPLAY_DLX,QMD RAC AR9500T,84.5x50mm,-,-,-,N,Standard	1	SA
14-9	DB61-07412A	CASE-LED	AR9500T, QMD RAC,HIPS,T1.8,L69,BLACK,8.8	1	SA
14-9-1	DB92-04839A	ASSY PCB MAIN	MAIN,QMD RAC AR9500T,142x121mm,220V-240V,5V,12V,17V,10W,PF1-RAC,485 INV,DLX,Y,SMPS,Standard	1	SA
14-10	DB93-14245D	ASSY CONNECTOR WIRE-EARTH	1,1015,16,YEL/GRN,ST710095-3,ST710095-3,-,380,-,-,-,EVA-PLATE,QMD RAC AR9500T,-	1	SA
14-11	DB93-17055B	ASSY CONNECTOR WIRE-COMM	2,1007,22,RED,SMH250-03L/RED,179973-1,-,270,PVC TUBE,200,-,-,PBA-TB,QMD RAC AR9500T,-	1	SA
14-12	DB93-17169A	ASSY CONNECTOR WIRE-POWER	3,1015,18,BRN,YH396-05VR/BLU,175022-1,ST710095-3,150,-,-,-,-,PBA-TB,QMD RAC AR9500T,-	1	SA
14-13	DB93-17178A	ASSY CONNECTOR WIRE-DC SIGNAL	14,2095,26,RED,SMH200-H14H3/WHT,SMH200-H14H3/WHT,-,600,-,-,-,-,PBA-PBA,QMD RAC AR9500T,-	1	SA
15	DB94-08009B	ASSY TRAY DRAIN	DA WHITE,Y,QMD RAC2,WIND(MANUAL)	1	SA
15-1	DB31-00369E	MOTOR BLOWER	DB31-00369E,35BYJ46-929,2W,1.47,100PPS,DC12V	1	SA
15-2	DB61-07418A	HINGE BLADE-A	AR9500,POM,T0.7,W10.1,F20-03	2	SA
15-3	DB61-07419A	HINGE BLADE-B	AR9500,POM,T0.7,W16.1,F20-03	1	SA
15-4	DB61-07451A	HOLDER BLADE	QMD RAC,POM,T2.5,NATURAL,F20-03	1	SA
15-10	DB63-04249A	GUARD-SCREEN	AR9500T,MSWR,T1,BLACK,QMD3,L827.4	1	SA
15-7	DB66-02036A	BLADE V	AR9500,PP,T1.6,QMD RAC_WIND(Manual, 5EA)	1	SA
15-8	DB66-02037A	BLADE V	AR9500,PP,T1.6,QMD RAC_WIND(Manual, 6EA)	2	SA
15-9	DB66-02039A	BLADE H	AR9500,HIPS,T3.3,QMD RAC3_ WIND	1	SA
15-10	DB73-00180A	RUBBER-CAP DRAIN	SS-PJT,EPDM,PM GRAY	1	SA
15-11	DB94-02195B	ASSY DRAIN-HOSE	ALL,HOSE DRAIN L550mm	1	SA
17	DB96-24901F	ASSY WIRELESS REMOCON	ARH-5206,20. QMD RAC GLOBAL,RS-3,ENGLISH,40.0*45.0,°C,RAC,Heat Pump,SAMSUNG	1	SA
18	DB81-01328A	INSULATION TUBE	PO,T0.5,W8,L70,BLACK	2	SA

OUTDOOR UNIT



 Parts List

AR24TXHZAWKXEU

No.	Code No.	Description	Spec.	Q'ty	SASNA
1	DB63-02471B	GUARD COND	Q CHASSIS,HSWR-SWRH,EARTH BROWN,737	1	SA
2	DB64-03341A	CABINET SIDE-LF	Q480,GI-SGCC,T0.8	1	SA
3	DB64-03342A	CABINET SIDE-RH	Q480,GI-SGCC,T0.8	1	SA
4	DB90-05549L	ASSY COVER TOP	NEW Q,FOAM-PE	1	SA
4-1	DB63-02368C	COVER TOP	P CHASSIS,GI-SGCC,T0.8,W880,L310	1	SA
4-2	DB64-00967B	HANDLE-OUTDOOR	FAC,PP,T3,W24.8,L110,MT62AW,EARTH BRO	1	SA
5	DB90-06410C	ASSY COVER-VALVE	F-XS-04,COVER+PLATE	1	SA
6	DB90-10971A	ASSY BRACKET MOTOR	NEW Q	1	SA
7	DB90-10972A	ASSY CABI FRONT	NEW Q,F&T	1	SA
7-1	DB63-03744A	GUARD FAN	AR24NVFPCWKXAZ,PP,T2.5,EARTH BROWN	1	SA
7-2	DB64-03201C	LOGO	DVM,PVC,T0.1,300,286C,transparent PVC	1	SA
8	DB60-30028A	NUT-FLANGE	HWH,M8,ZPC(WHT),SWRCH18A,P1.25/Washe	3	SA
9	DB63-02868B	FELT-COMP SIDE	RC071DHXEA,FELT/PVC,T5+T1.6	1	SA
10	DB90-10979B	ASSY BASE OUT	NEW Q,F&T	1	SA
10-1	DB60-00479A	FASTENER-BOLT	WW CHASSIS,MSWR10,47.2,NATURAL	3	SA
10-2	DB61-01704B	LEG-BASE	Q480,SGMCC,Superdyma,39/44 E foot	4	SA
12	DB96-18249D	ASSY COND BENDING	Q COND,2R,FP1.5,corrugate-fin	1	SA
13	UB9TK2150FE4TS	RCP,COMP,RCP,F,R32		1	-
14	DB27-00043A	COIL HARMONIC	5mH,124.4*85.8*73.1,20A,Screw	1	SC
15-1	DB32-00257A	SENSOR TEMP	103AT,L700,10kohm	1	SA
15-2	DB37-00036A	TERMINAL BLOCK	2P(4SCREW),MELAMINE,600V,30A,30X47X26f	1	SA
15-3	DB61-00250A	HOLDER-WIRE CLAMP	AF25M9970DBX,PA,-,-,-,BLACK,-,-,V-0,FR50,	2	SA
15-4	DB61-04677A	CASE CONTROL-UPPER	Q,ABS,T2,BLACK,5VA	1	SA
15-5	DB61-04698B	PLATE CONTROL	Q,GI-SGCC,T0.6,TSE,PF3,NEWT/B	1	SA
15-6	DB61-05917A	CASE CONTROL	ABS,GRAY,VE-0858	1	SA
15-7	DB65-00274A	TERMINAL BLOCK	TERMINAL BLOCK,Polycarbonate, Phenol,AC30	1	SA
15-8	DB67-01713A	RUBBER	SILICON RUBBER,T0.3	1	SA
15-9	DB81-00635A	SPRING ETC-SENSOR	DVM-SYSTEM,STS304,R2.5,R4.5,44,0.3,2.0,N	2	SA
15-10	DB91-00933A	ASSY-SCREW MACHINE	MH*, FJM,M3, L12	7	SA
15-11	DB92-04838A	ASSY PCB INVERTER	INVERTER,QMD RAC AR9500T,197x242mm,2	1	SA
15-11-1	DB27-00078A	COIL CHOKE	12mH,20A,28.5x21,Mn-Zn,4,DIP	1	SA
15-13	DB93-10905D	ASSY CONNECTOR WIRE-COMP	3,1015,14,RED,MG624757/WHT,MG630591R/	1	SA
15-14	DB93-12121B	ASSY CONNECTOR WIRE-EARTH WIRE	1,1015,18,YEL/GRN,173724-1,ST710197-2,-,2	2	SA
15-15	DB93-16402A	ASSY CONNECTOR WIRE-COMM	2,1007,22,RED,YH396-02V/RED,175020-1,-,25	1	SA
15-16	DB93-17175A	ASSY CONNECTOR WIRE-REACTOR	2,1015,16,WHT,MG630591R/WHT,MG633976	1	SA
15-17	DB93-17207A	ASSY CONNECTOR WIRE-POWER	2,1015,14,BRN,175022-1,MG630591R/WHT,-,	1	SA
16	DB93-11274C	ASSY CONNECTOR WIRE-COMP OUT	3,3343,14,RED,MG614758/WHT,MG634833/W	1	SA
17	DB31-00658D	MOTOR BLDC FAN	310V,125W	1	SA
18	DB60-00405A	FASTENER-WASHER	RC100ZXHEA,SWRCH10A,M8	1	SA
19	DB94-06687A	ASSY FAN PROPELLER	AC071MXADKH/EU,ASSY	1	SA
20	DB63-03458A	FELT-COMP TOP OUT	RAC,FELT/PVC,T5+T1.6	1	SA
21	DB61-04136C	BRACKET-VALVE	Q,P CHASSIS,SGMCC,T1.6,W105.8,Superdym	1	SA
22	DB96-24879B	ASSY TUBE 4WAY	Q480,20-RIH-16,20-RIH-17,UG9TK2150FE4,F6	1	SA
22-1	DB62-06847A	VALVE 4WAY	BRASS,2HP,COMMON	1	SA
22-2	DB62-09658A	VALVE SERVICE-SPINDLE	.,5/8",R410A, FLARE	1	SA
22-3	DB67-60031A	SPRING-RUBBER	QMD,STS304,1.4mm,OD34.8,T1.4,RUST_RES	3	SA
22-4	DB95-04804B	ASSY-SOLENOID	MALDIVES,CONNECT PBA	1	SA
22-4-1	DB95-01635A	VALVE COIL SOLENOID	AC220-240V,1000,L-Wire	1	SC
23	DB96-24889C	ASSY TUBE EEV	Q480,F&T 4-4-1,1.4C,H/P	1	SA
23-1	DB62-08126C	VALVE COIL EXPAN	DC12V,COIL,700mm,MOLDING,T-type	1	SA
23-2	DB62-09652A	VALVE SERVICE-SPINDLE	FLARE,R410A,6.35	1	SA
24-1	DB67-01533A	RUBBER-LEG	All frame,NR,BLACK	4	SA
24-2	DB67-20011A	DRAIN-PLUG OUT	ASH-1814ER,PP,-,-,-,NATURAL,-,-,-	1	SA
25	DB63-02522A	FELT-COMP SOUND B	Q,FELT/PVC,T5(FELT)+T1.6(PVC)	1	SA
26	6002-000481	SCREW-TAPPING	TH,+ ,NO,2S,M4.0,L12,NI PLT,SWRCH18A,Zn	31	SA